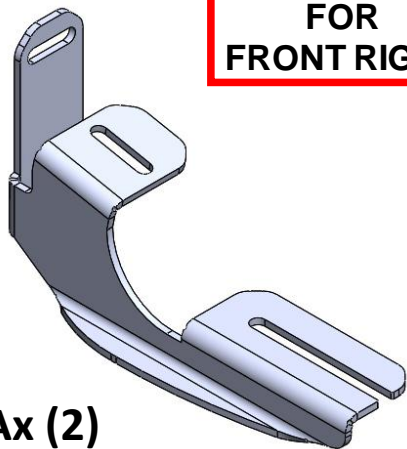
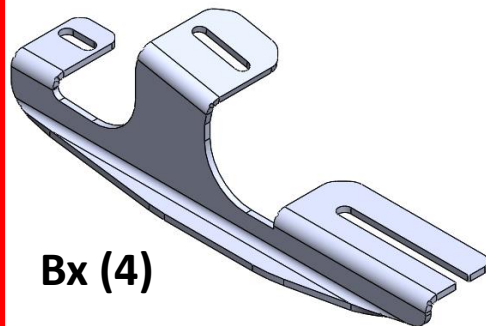


FOR  
FRONT RIGHT

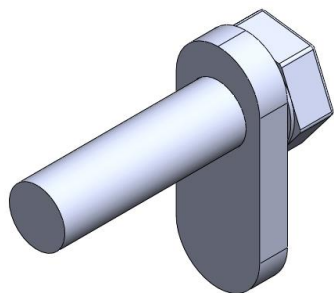


Ax (2)

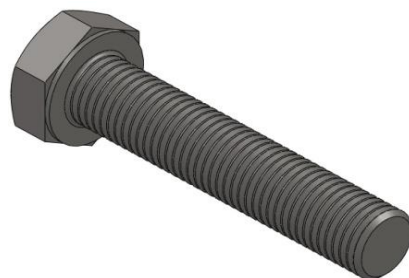
FOR  
MIDDLE LEFT  
REAR RIGHT



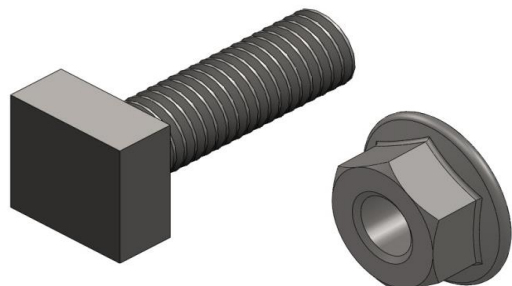
Bx (4)



Cx (2)



D  
M8x25 (x10)



M8 (x12)

M8 (x12)



M8 (x2)



# HONDA PILOT 2008-2015 RUNNING BOARD



# instructions

