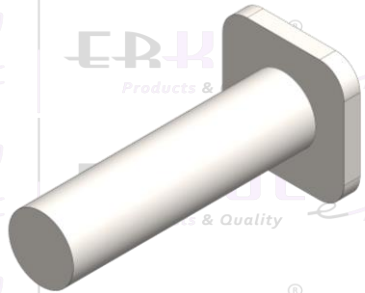
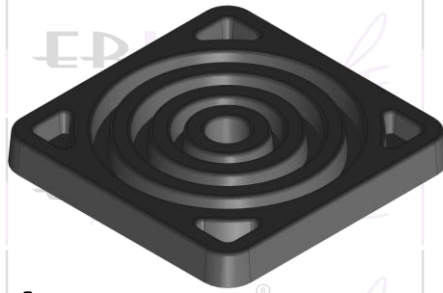


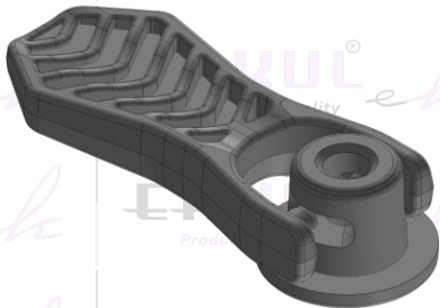
x2



x4



x4



x4



ALPINE SKI CARRIER



instructions



