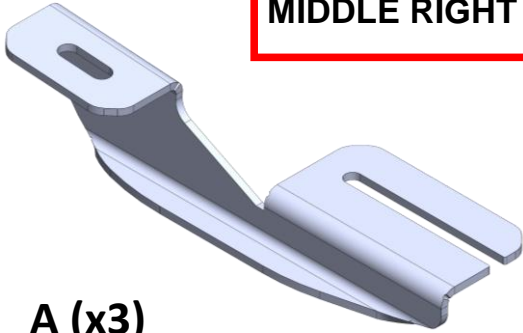
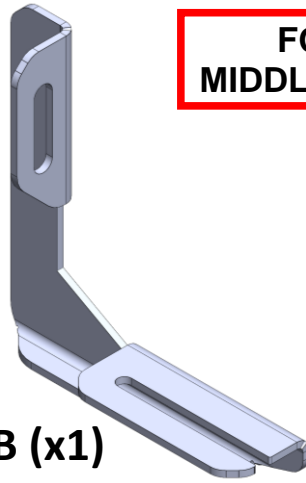


FOR
FRONT LEFT
MIDDLE RIGHT



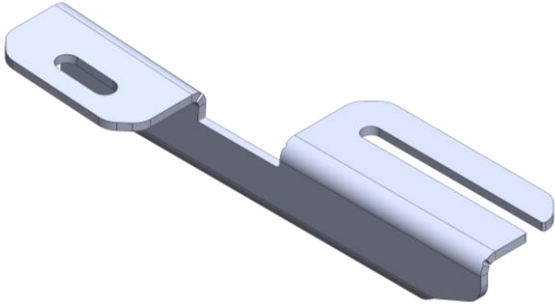
A (x3)

FOR
MIDDLE LEFT



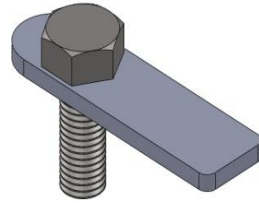
B (x1)

FOR
REAR RIGHT

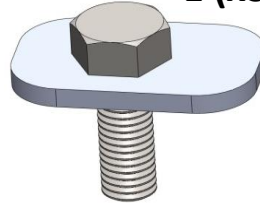


C (x2)

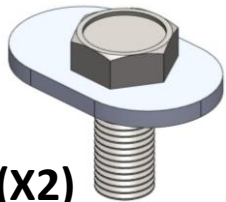
D (x1)



E (x3)



F (x2)



M8 (x12)



M10 (x6)



ERKUL[®]
Products & Quality



**MERCEDES VITO 2003 →
MERCEDES VIANO 2003 →
RUNNING BOARD**



instructions





FRONT + MIDDLE (R) BRACKET

MIDDLE LEFT BRACKET

REAR BRACKET

