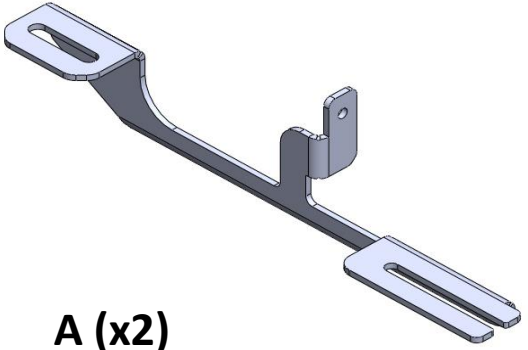
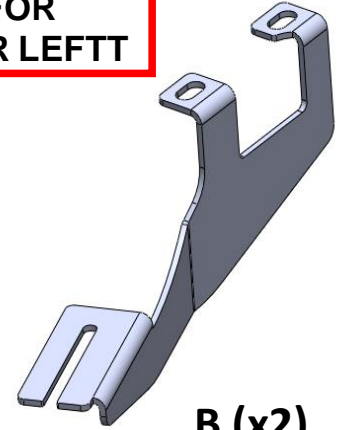


**FOR
FRONT LEFT**

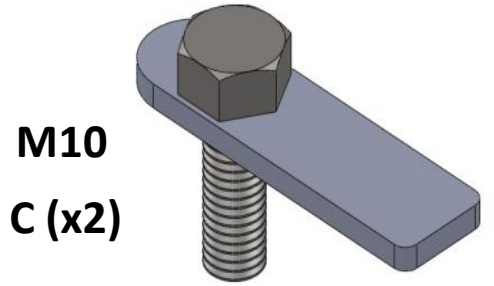
**FOR
REAR LEFT**



A (x2)



B (x2)

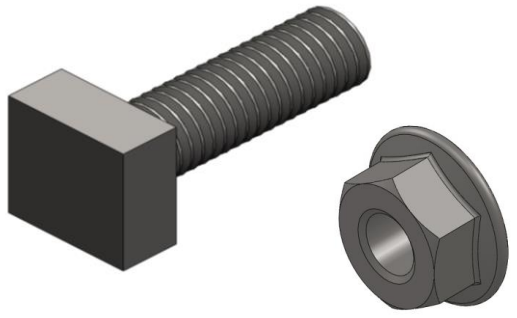


**M10
C (x2)**

D M6x20 (x2)



M8 (x8)



**M10 (x2)
M6 (x4)**



**M10 (x2)
M6 (x2)**



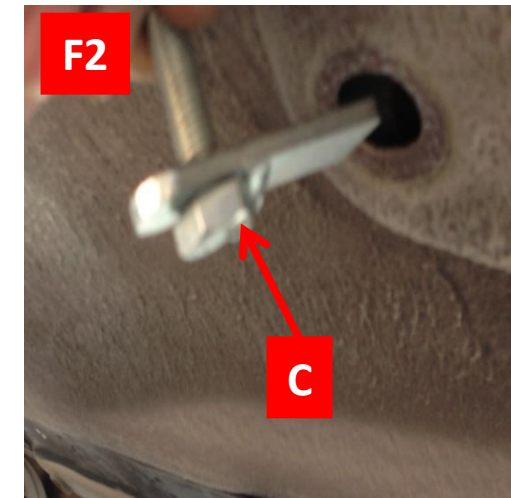
**VOLVO XC-90
2003-2015
RUNNING BOARD**



instructions



FRONT BRACKET



REAR BRACKET

