



A (x2)



(RIGHTx2) / (LEFTx2)



4



5



WINGCARRIER V1



instructions





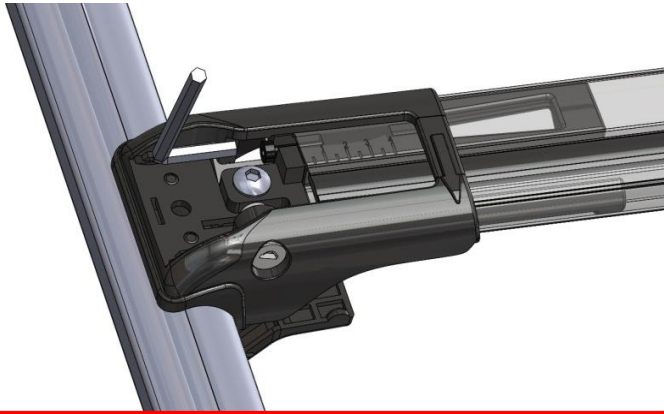
1



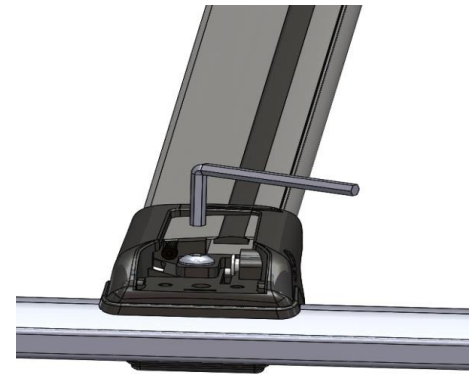
2



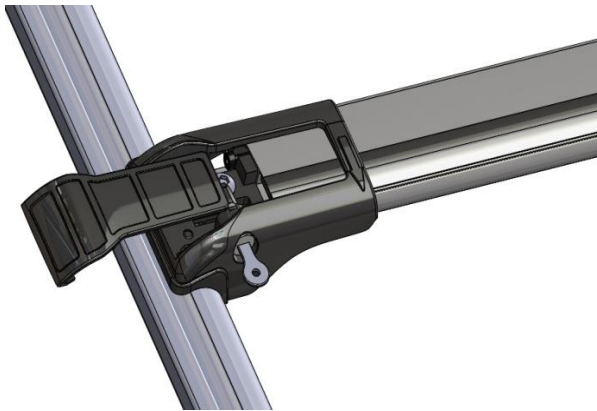
3



4



5



6

